

**TOP LINE TURCA IDRICA  
ASSEMBLY INSTRUCTIONS**

# Armal

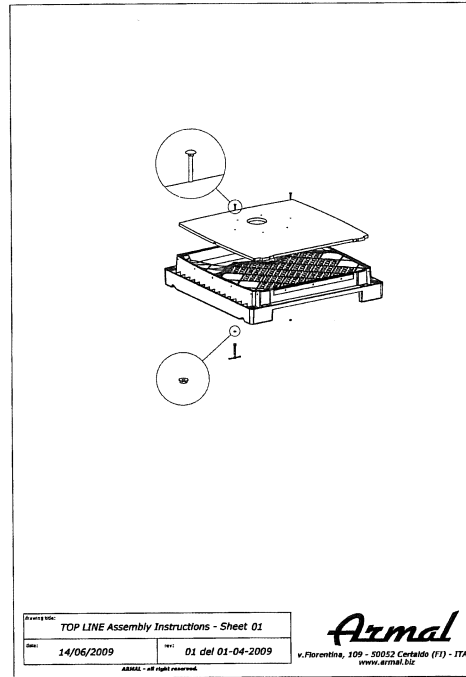
v. Fiorentina, 109 - 50052 Certaldo (FI) - ITALY  
www.armal.biz

MOUNTING TOOLS



DATE: 14/06/2009 REV: 01 del 01-04-2009

ARMAL - all rights reserved.

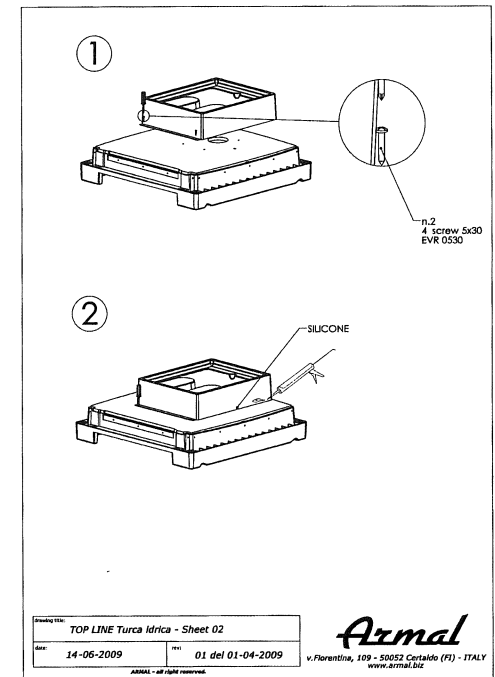


Drawing title: TOP LINE Assembly Instructions - Sheet 01  
DATE: 14/06/2009 REV: 01 del 01-04-2009

## Armal

v. Fiorentina, 109 - 50052 Certaldo (FI) - ITALY  
www.armal.biz

ARMAL - all rights reserved.

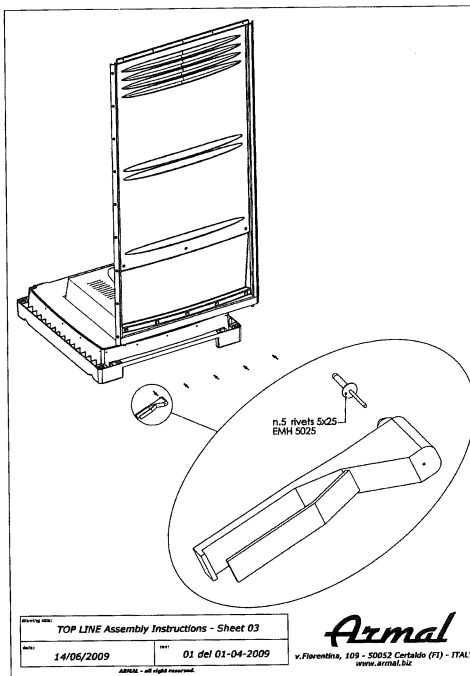


Drawing title: TOP LINE Turca Idrica - Sheet 02  
DATE: 14-06-2009 REV: 01 del 01-04-2009

## Armal

v. Fiorentina, 109 - 50052 Certaldo (FI) - ITALY  
www.armal.biz

ARMAL - all rights reserved.

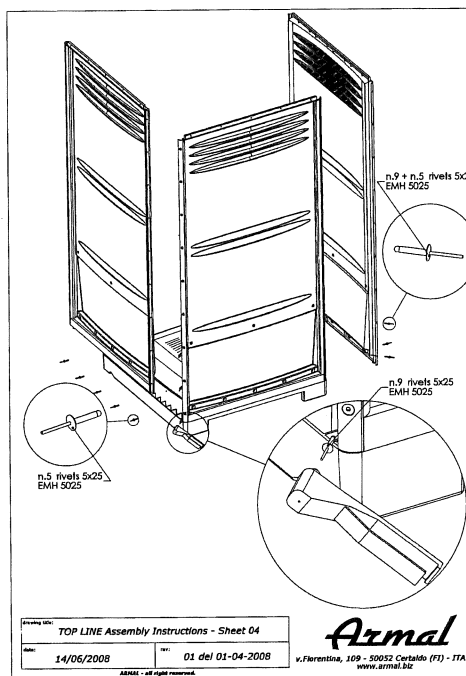


Drawing title: TOP LINE Assembly Instructions - Sheet 03  
DATE: 14/06/2009 REV: 01 del 01-04-2009

## Armal

v. Fiorentina, 109 - 50052 Certaldo (FI) - ITALY  
www.armal.biz

ARMAL - all rights reserved.

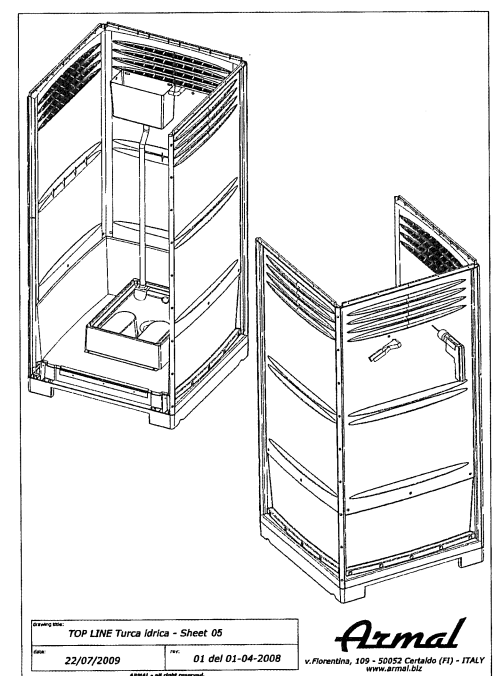


Drawing title: TOP LINE Assembly Instructions - Sheet 04  
DATE: 14/06/2008 REV: 01 del 01-04-2008

## Armal

v. Fiorentina, 109 - 50052 Certaldo (FI) - ITALY  
www.armal.biz

ARMAL - all rights reserved.



Drawing title: TOP LINE Turca Idrica - Sheet 05  
DATE: 22/07/2009 REV: 01 del 01-04-2008

## Armal

v. Fiorentina, 109 - 50052 Certaldo (FI) - ITALY  
www.armal.biz

ARMAL - all rights reserved.

